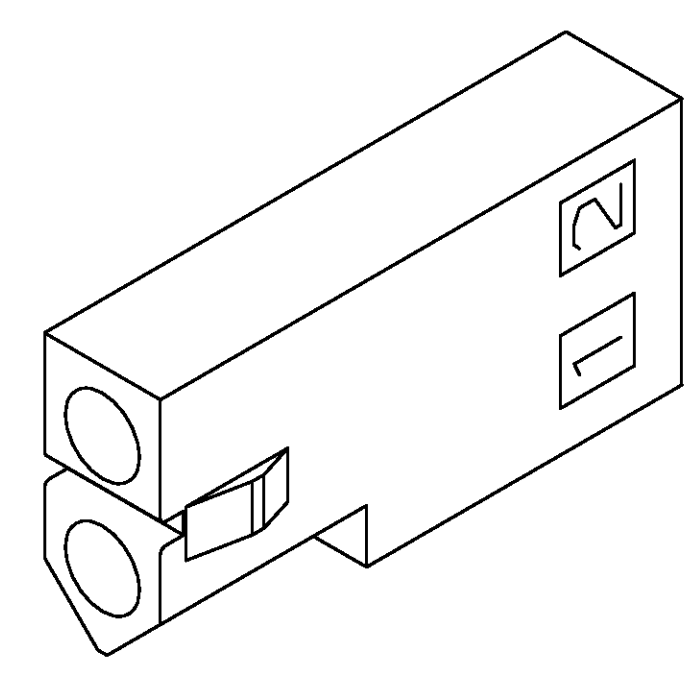
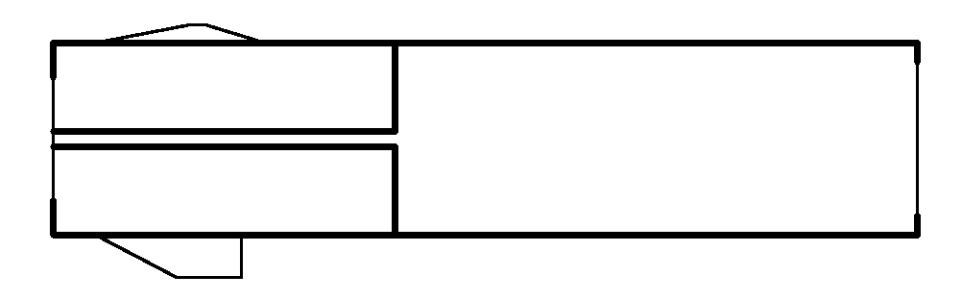
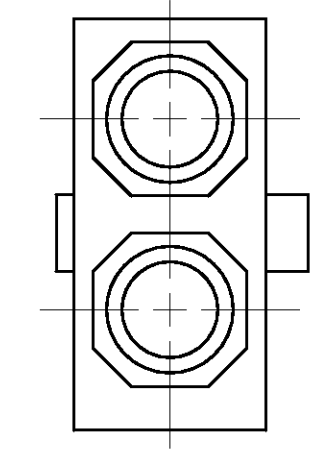
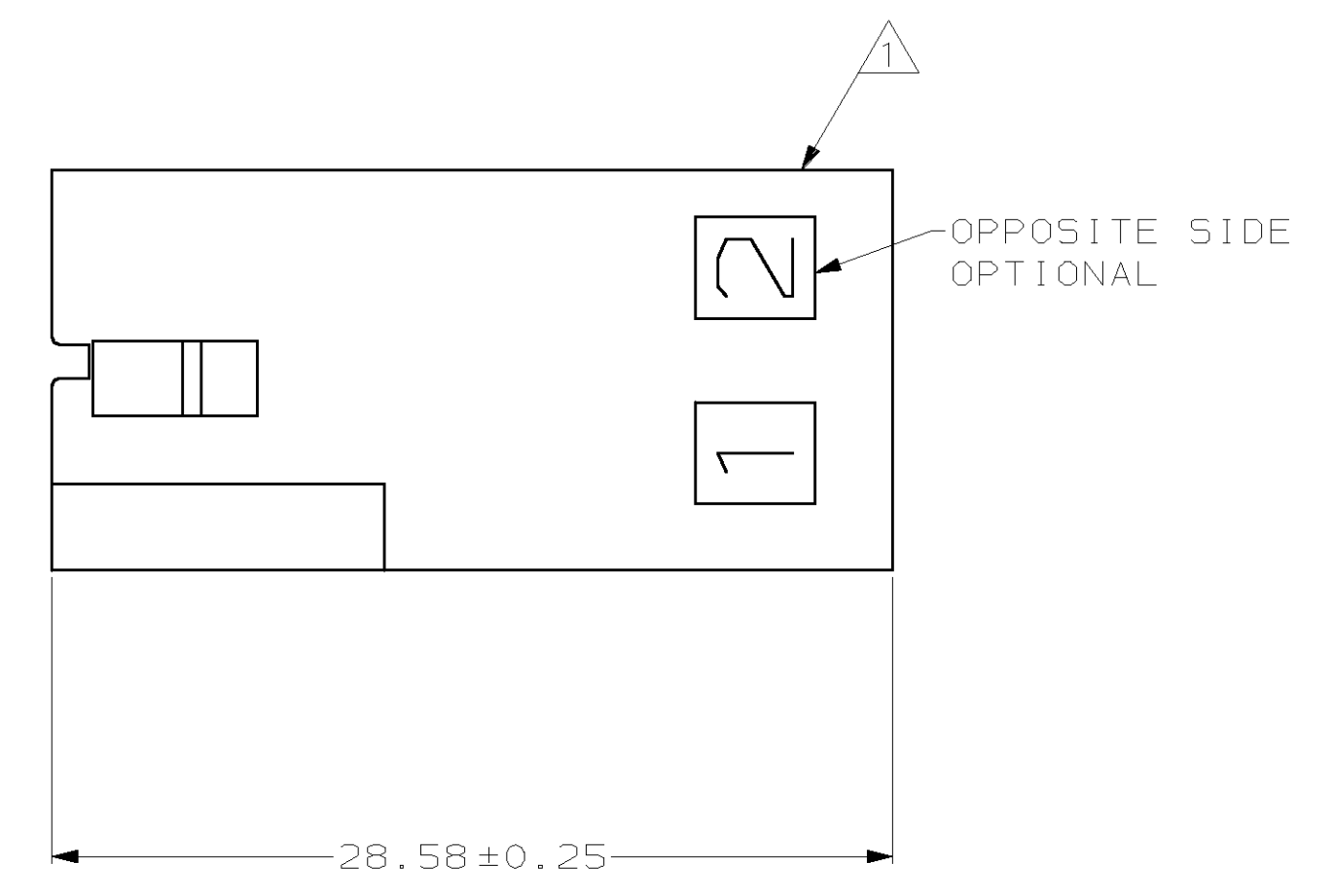
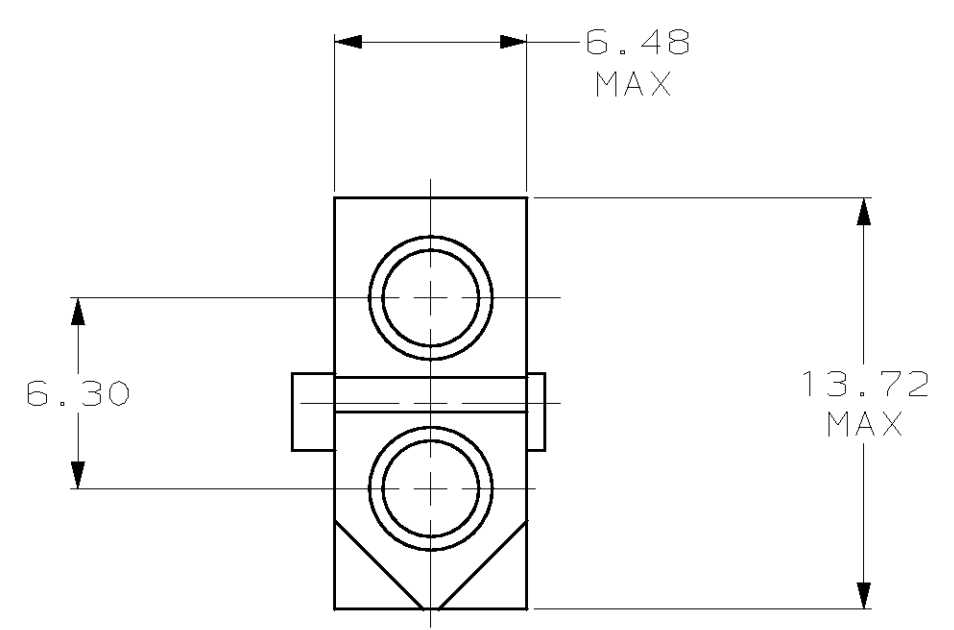


LOC		QTY		REVISIONS			
CM	53	TR	LYR	DESCRIPTION	DATE	DWN	APVD
		H		REV & REDWN PER EC OL30-0287-97	2-13-98	KW	RS

△ MARKING FOR UL AND CSA LOGOS LOCATED ON THIS SURFACE.



3-DIMENSIONAL MODEL
NTS

770266-1
PART NUMBER

MM	IN
28.58	1.125
13.72	.540
6.48	.255
6.30	.248
2.36	.093
0.25	.010
0.13	.005
MM	IN

CONVERSION TABLE

METRIC

THIS DRAWING IS A CONTROLLED DOCUMENT.		DWN K. WHITAKER	2-13-98	AMP AMP Incorporated Harrisburg, PA 17105-3608
DIMENSIONS: mm		CHK R. SWING	2-13-98	
TOLERANCES UNLESS OTHERWISE SPECIFIED:		APVD K. COBLE	2-13-98	NAME RECEPTACLE, 2 CIRCUIT, POSITIVE LOCK, .093 PIN AND SOCKET
0.13	±	PRODUCT SPEC		SIZE A1
0.25	±	APPLICATION SPEC		SCALE CODE 770266
0.13	±	HEIGHT		RESTRICTED TO -
0.13	±	CUSTOMER DRAWING		SCALE 4:1
MATERIAL NYLON, UL 94V-2, NATURAL	FINISH -	SHEET 1 OF 1		REV H